

A

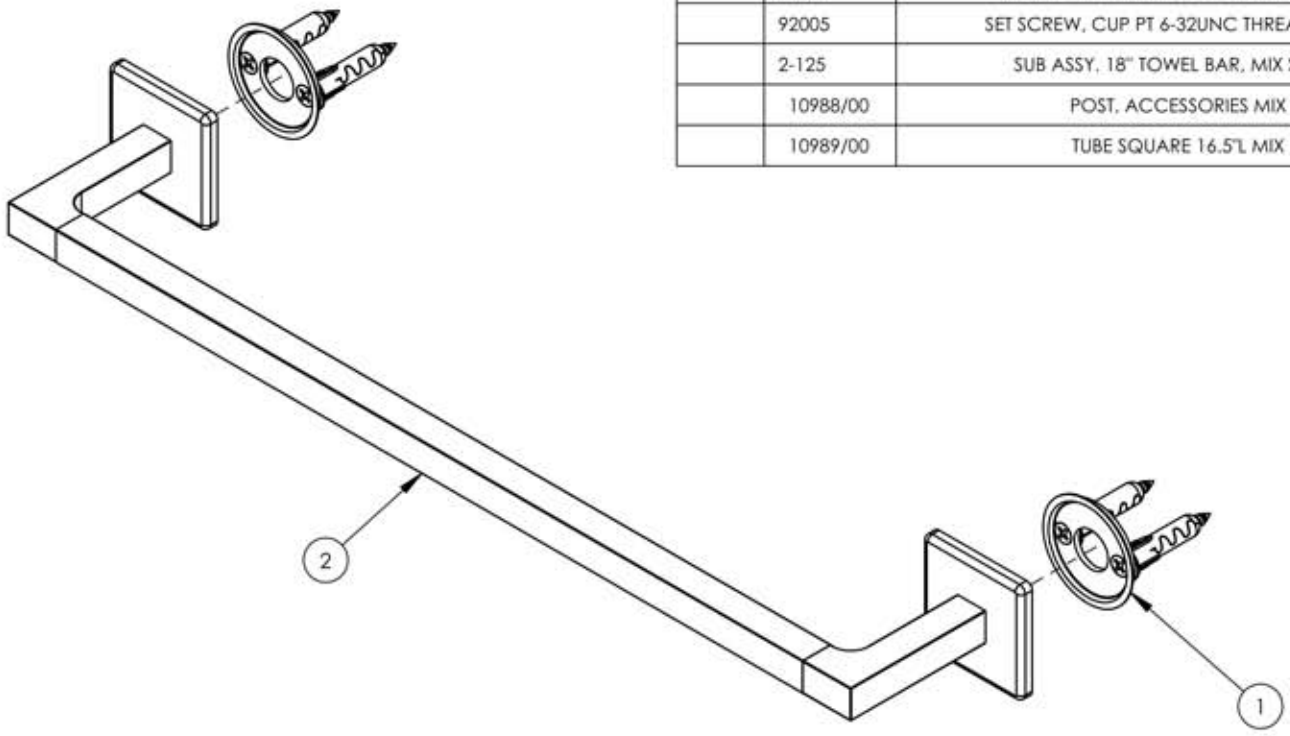
B

C

D

E

ITEM NO.	PART NUMBER	DESCRIPTION	QTY.
1	2-098	MOUNTING KIT FOR MIX/EDGE SERIES	2
	30042	WALL MOUNTING PLATE	1
	92043	SCREW, FLAT HD #10 SIZE W/ #2 PHIL DRIVE, 2"L	2
	92046	ANCHOR SCREW 3/8" HOLE, TOGGLER AF10	2
2	3-112/00	ASSY. TOWEL BAR 18 INCH MIX	1
	10936/00	ESCUTCHEON, ACCESSORIES MIX SERIES	2
	92033	SCREW, PHILLIPS PAN HD #8-32 x 7/8"L	2
	92005	SET SCREW, CUP PT 6-32UNC THREAD 3/16"L	2
	2-125	SUB ASSY, 18" TOWEL BAR, MIX SERIES	1
	10988/00	POST, ACCESSORIES MIX	2
	10989/00	TUBE SQUARE 16.5"L MIX	1



-		-		INTERPRET GEOMETRIC DIMENSIONING & TOLERANCING IN ACCORDANCE WITH ASME Y14.5-2009 & ASME Y14.41-2003 STANDARDS. UNLESS OTHERWISE SPECIFIED, DIMENSIONS ARE IN INCHES. TOLERANCES ARE: FRACTIONS ±1/64" DECIMALS X.X: ±.1 ANGULAR ±.5° X.XX: ±.01 X.XXX: ±.005	18" TOWEL BAR, MIX SERIES		
NEXT ASSY	USED ON	SIZE	ASM/PRT NO.		REV		
APPLICATION		A	290-70/00		-		
MATERIAL		NAME	DATE				
FINISH		DRAWN	LLO	12/29/2014			
DO NOT SCALE DRAWING		CHECKED	GRE				
		SCALE:	1:3	WEIGHT:	lbs.	SHEET	1 OF 2

1261 LOGAN AVENUE
COSTA MESA, CALIFORNIA 92626
PHONE: 714.361.4800
FAX: 714.617.3120

PHYLORICH®
Defining Luxury Since 1959

PROPRIETARY AND CONFIDENTIAL
THE INFORMATION CONTAINED IN THIS DRAWING IS THE SOLE PROPERTY OF RSS MANUFACTURING. ANY REPRODUCTION IN PART OR AS A WHOLE WITHOUT THE WRITTEN PERMISSION OF RSS MANUFACTURING IS PROHIBITED.

5

4

3

2

1